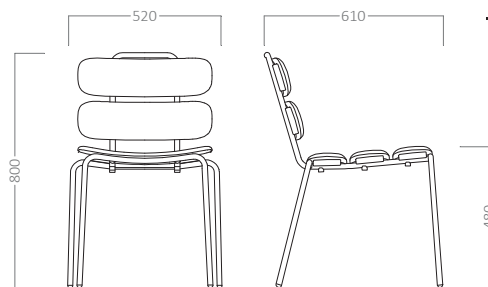
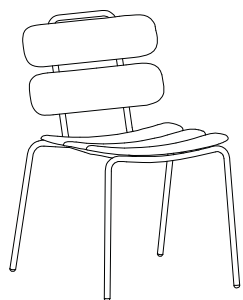


DARCY

DARCY 1 (Outdoor chair)

Polypropylene seat and backrest chair. Structure with 4 metal legs. Without arms. Colors metal structure: Black, gray, green, red and yellow. Polypropylene: Black, grey, green, red and yellow.

weight vol. chairs/pack

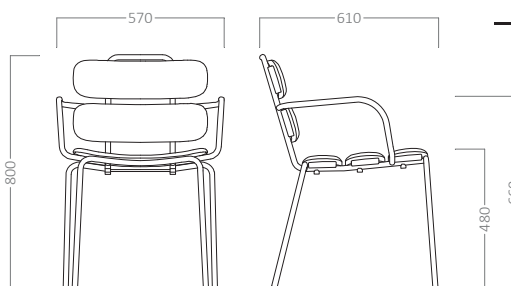
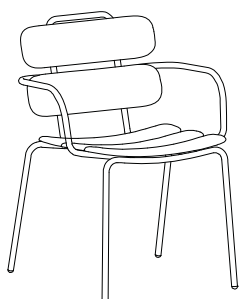


POLYPROPYLENE

DARCY 2 (Outdoor chair)

Polypropylene seat and backrest chair. Structure with 4 metal legs. With arms. Colors metal structure: Black, gray, green, red and yellow. Polypropylene: Black, grey, green, red and yellow.

weight vol. chairs/pack

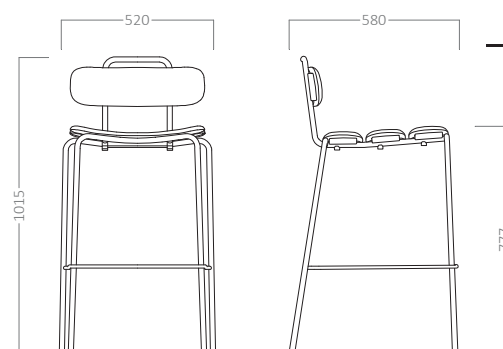
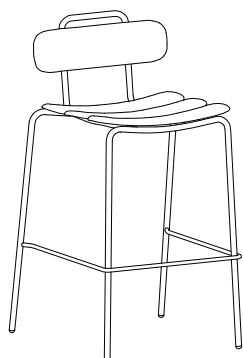


POLYPROPYLENE

DARCY 3 (Outdoor stool)

Polypropylene backrest and seat stool. Structure with 4 metal legs. Without arms. Metal structure colors: Black, grey, green, red and yellow. Polypropylene: Black, gray, green, red and yellow.

weight vol. chairs/pack

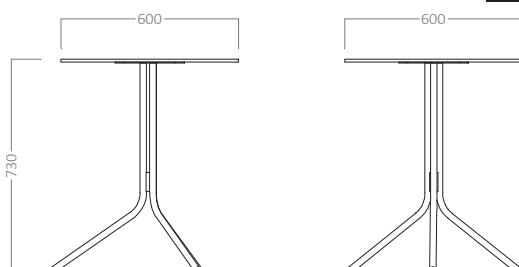


POLYPROPYLENE

DARCY M 60Ø (Outdoor table only in Compact Phenolic version)

Metal table leg with three supports. Melamine lid Ø60 cm. Folding lid option. Metal structure color: Black. Melamine colors: Consult finishes.

weight vol. boxes/pack



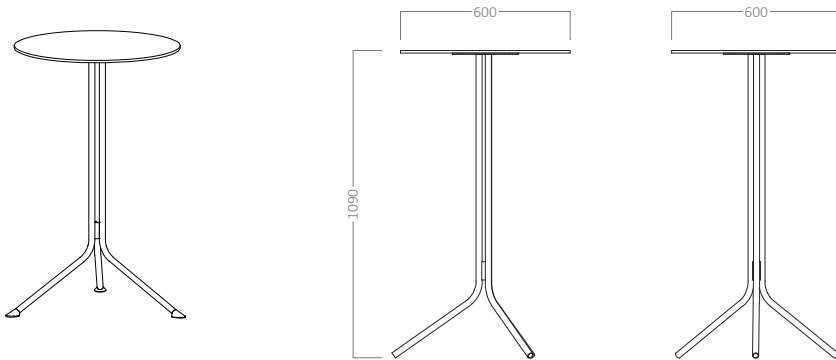
TABLES

DARCY

DARCY MA 60Ø (Outdoor table only in Compact Phenolic version)

High table metal leg three supports. Melamine lid Ø60 cm. Flip lid option. Metal structure color: Black. Melamine colors: Consult finishes.

weight	vol.	boxes/pack

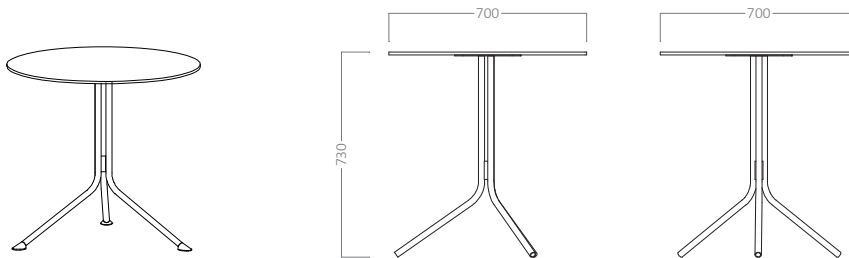


TABLES

DARCY M 70Ø (Outdoor table only in Compact Phenolic version)

Three-support metal leg table. Melamine top Ø70 cm. Folding lid option. Metal structure color: Black. Melamine colors: Consult finishes.

weight	vol.	boxes/pack

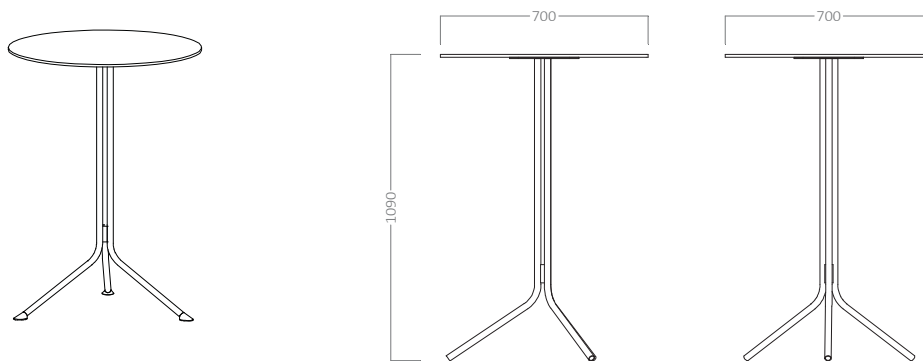


TABLES

DARCY MA 70Ø (Outdoor table only in Compact Phenolic version)

High table metal leg three supports. Melamine lid Ø70 cm. Flip lid option. Metal structure color: Black. Melamine colors: Consult finishes.

weight	vol.	boxes/pack



TABLES

OPTIONAL COMPLEMENTS

Table with folding top

Melamine Top Other finishes (White Marble, White Marble, Cement)

60Ø Compacmel lid

70Ø Compacmel lid

Lid 59Ø Compact Phenolic 10 mm. black

Lid 69Ø Compact Phenolic 10 mm. black